



VERT VISIO

LED TECNOLOGY

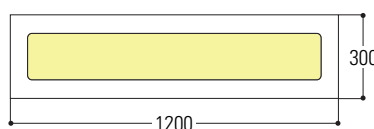
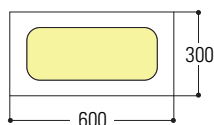
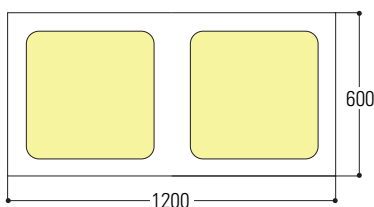
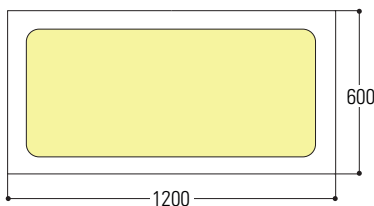
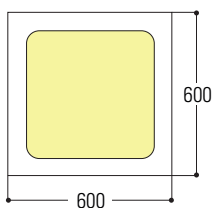
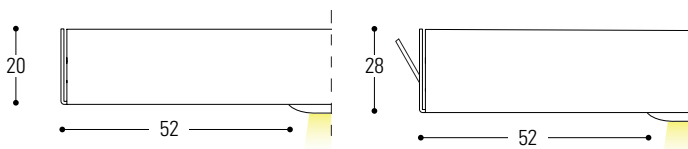
DESCRIPTION

Recessed luminaire for lighting with high-yield LED technology. An elegant and modern style guaranteed by integration into the Vert Visio type ceiling. The luminaire is composed of an aluminium and a cladding panel that has the same material (aluminium or steel) and the same finish (pre-painted or post-painted) as the false ceiling, and replaces all applications that hitherto involved the use of fluorescent and halogen tubes.

TECHNICAL CHARACTERISTICS

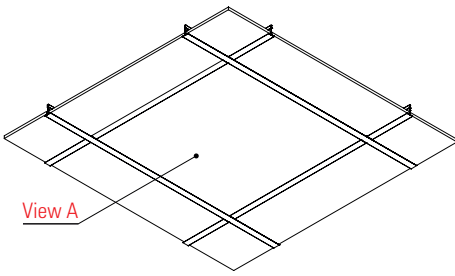
Panel material:	Aluminium (Alloy 3000H46) Galvanised steel
Ceiling light material:	Aluminium (Alloy 3000H46)
Colour:	Prepainted DONN-WHITE Silver Mirror-coated aluminium Post-painted RAL-NCS-Sublimed
Panel thickness	0,4 - 0,5 - 0,6 mm
Body thickness:	0,8 mm
Internal driver:	Yes
Features:	DALI module Night light Presence sensor with self-adjustment Emergency module
Standard modules:	600x600 mm with 90° edge 600x1200 mm with 90° edge 300x600 mm with 90° edge 300x1200 mm with 90° edge
Service life:	50.000 hours
LED Warranty:	3 Years
Product weight:	4 kg

Edge 90°

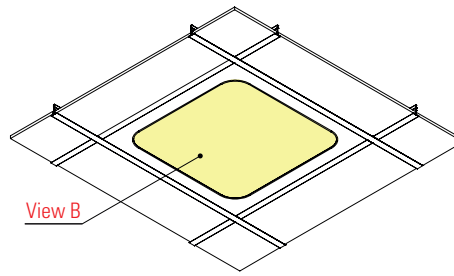


ADVANTAGES AND APPLICATIONS

Vert Visio system

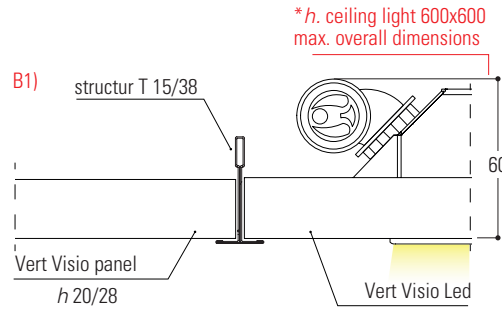
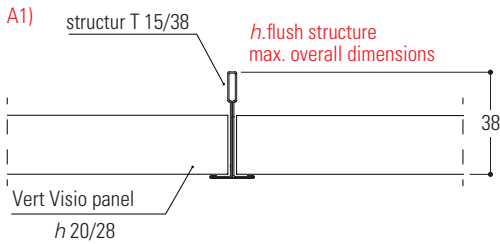
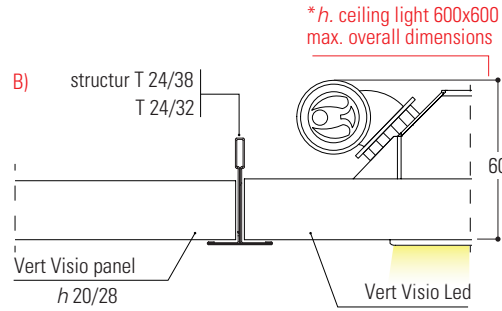
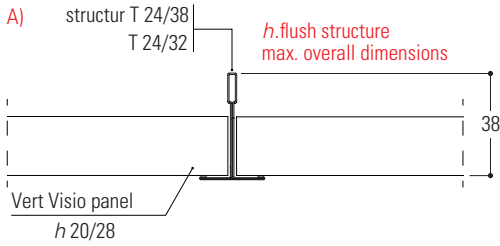


Vert Visio System with ceiling light



DESCRIPTION

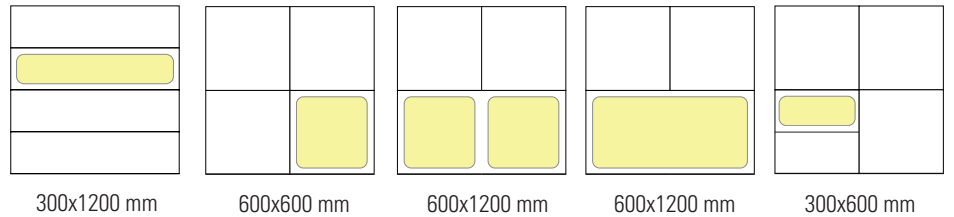
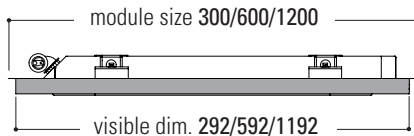
Thanks to its modern design, the **Vert Visio** ceiling light allows perfect integration into the Vert Visio system, consisting of a T-shaped structure and paneling that follows the lines and design of the ceiling light, further enhancing the entire assembled system. The entire system is in visible warping and can be punctually inspected together with the ceiling light.



*Overall dimensions ceiling light	module 600x600
	60 mm
	module 600x1200
	60 mm
	module 300x600
	60 mm
	module 300x1200
	60 mm

MODULES AND DIMENSIONS

Different solutions can be implemented; with the possibility of different modules, you are able to create the right solution and meet every requirement.



PERFORMANCE AND CONSUMPTION

The **Vert Visio** ceiling light is designed to offer homogeneous and flicker-free lighting suitable for installation in any location where optimum visual performance is required. This panel LED panel offers excellent lighting performance up to approximately 50,000 hours, with an estimated usage of 8 hours per day. Thanks to the integrated LED technology, this panel replaces older installations with halogen tubes with significantly lower consumption. The LED system, therefore, drastically lowers consumption while maintaining the same light intensity.

Type	Dimensions	Power (W)	Luminous flux Lamp** (IM) OPALE	Luminous flux Lamp** (IM) UGR
Vert Visio Led 84	300x600	32	4000	3500
Vert Visio Led 100	600x600	40	3500	3200
Vert Visio Led 144*		55	5300	6000
Vert Visio Led 200		80	7000	6300
Vert Visio Led 265*		89	8800	9800
Vert Visio Led 192	300x1200	70	6300	7500
Vert Visio Led 576	600x1200	-	-	-
Vert Visio Led 100+100	600x1200	80	-	6060

EMERGENCY MODULE

An emergency module can be integrated into the ceiling light, which guarantees a lighting autonomy of up to 3 hours even in the absence of electricity. This module is equipped with the standards shown in the table.

Autonomy	Capacity	Regulations	
3h	4,2 Ah	CEI 61000-6- 3	CEI 2004/108
		CEI EN 6154 7	CEI EN 55015
IEC 60598-2-22		CEI EN 61000-4- 8	EN 6052 9

OPTICAL GROUP

- Color rendering CRI>90 (CRI 80 available upon request)
- Photobiological risk 0 (exempt) protected from UV rays EN 62471
- Color temperature 3000K, 4000K and 6000K
- (LED diode selected 3 steps Mac Adam)
- Useful life (L93/B10): 30000 h. (tq+25°C)
- Useful life (L90/B10): 50000 h. (tq+25°C)
- Useful life (L85/B10): 80000 h. (tq+25°C)

Standard available colour temperature



Available optics:

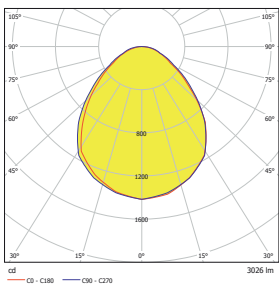
version UGR<19 (UGR)

Microprismatic polycarbonate optics for environments with video terminals

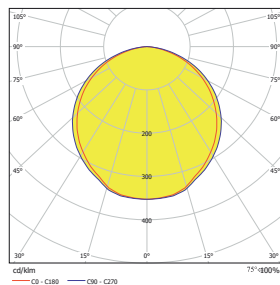
Standard Version (OP) **N.B** the OP version is supplied on specific request

Plexiglass LED optics with high light transmission for uniform brightness

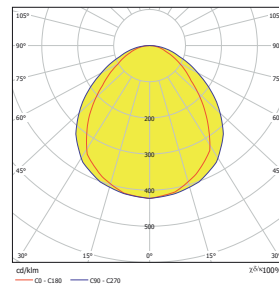
PHOTOMETRIC CURVES



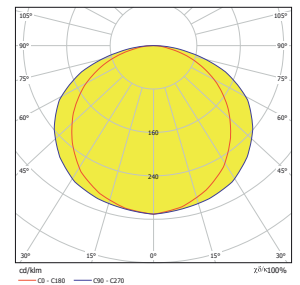
Vert Visio 84 38W UGR



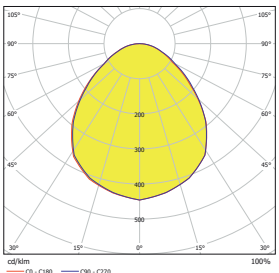
Vert Visio 84 38W OP



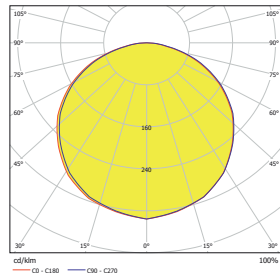
Vert Visio 192 75W UGR



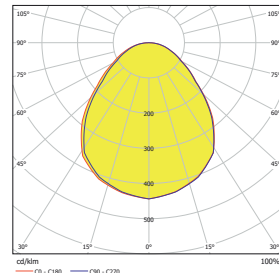
Vert Visio Led 192 75W OP



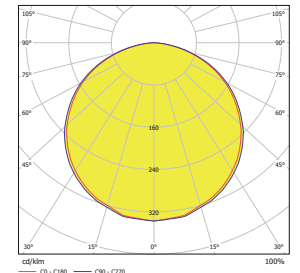
Vert Visio 100 40 W UGR



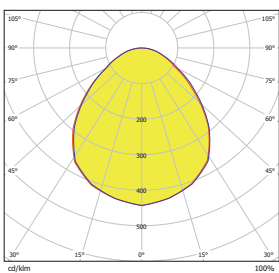
Vert Visio 100 40 W OP



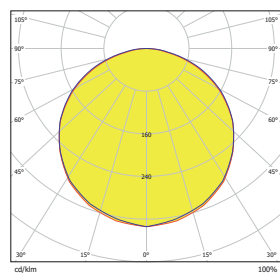
Vert Visio 144 56W UGR



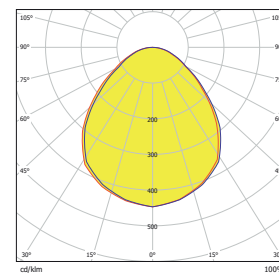
Vert Visio Led 144 56W OP



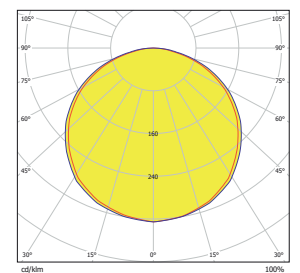
Vert Visio 200 80 W UGR



Vert Visio 200 80 W OP



Vert Visio 265 90 W UGR

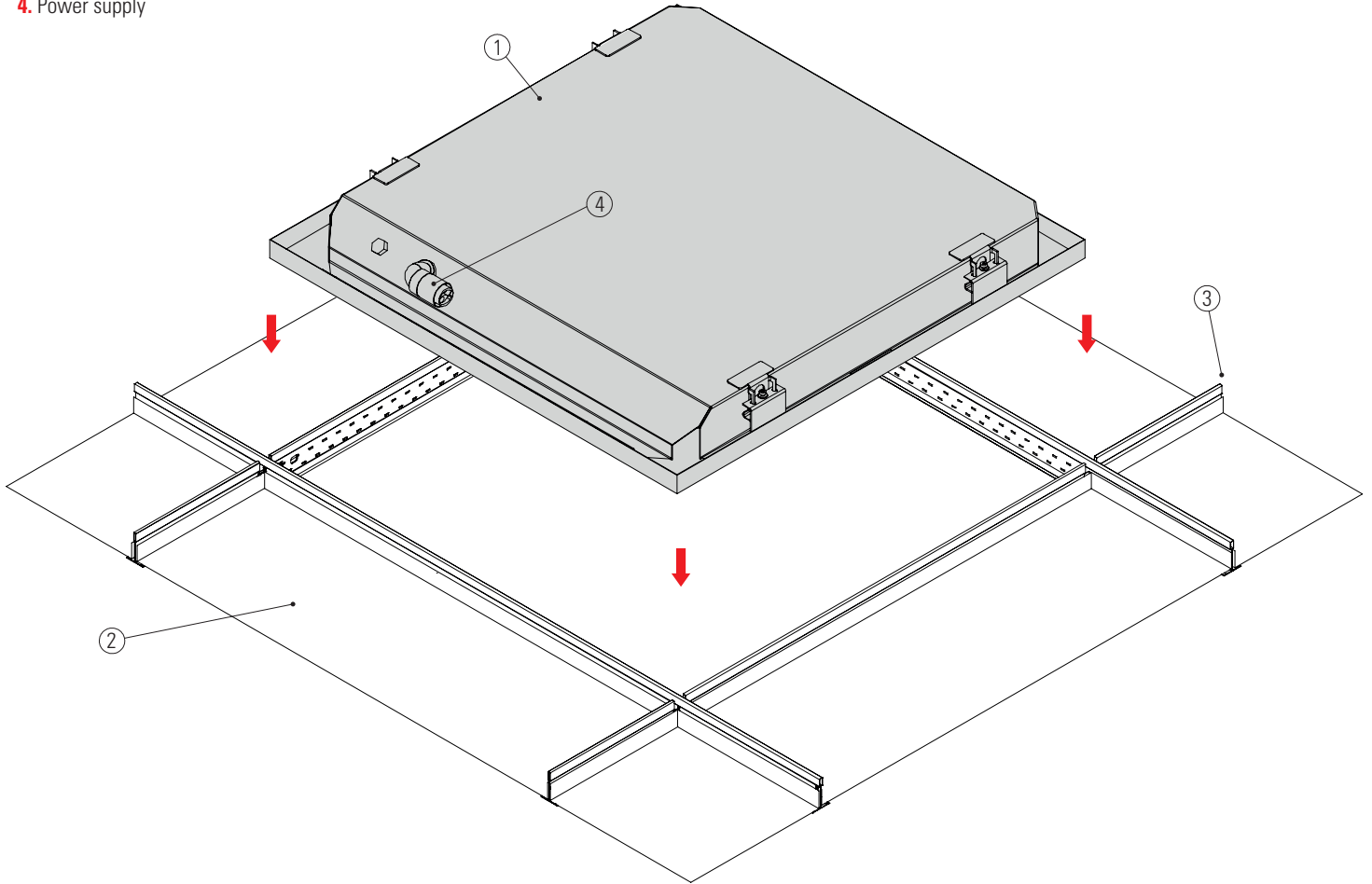


Vert Visio Led 265 90 W OP

SYSTEM ELEMENTS

1. Vert Visio
2. Vert Visio panel
3. T profile
4. Power supply

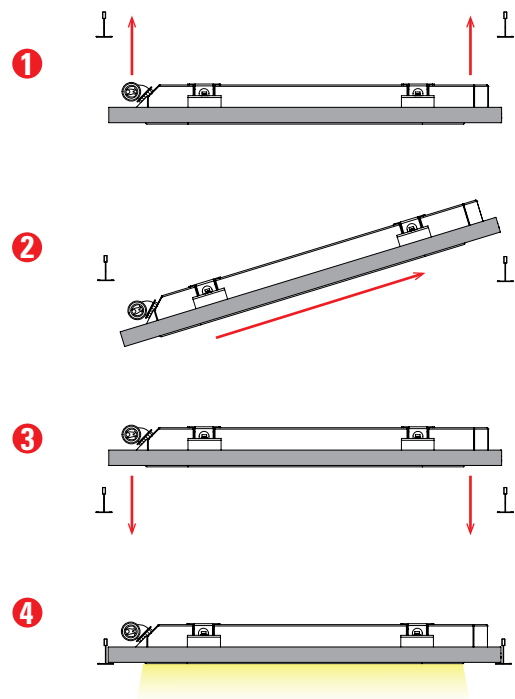
**PERFECT INTEGRATION
IN THE VERT VISIO SYSTEM**
configuration with IP66 ceiling light



INSTALLATION DESCRIPTION

Installation of the Vert Visio ceiling light is done in the same way as a Vert Visio panel, the steps are few and intuitive:

1. Position and centre the ceiling light (1) between the profiles (3)
2. Insert the ceiling light(1) transversally, positioning it above the metal structure.
3. Place the ceiling light(1) on the profiles(3)
4. Connect to the electrical mains using the power supply socket (4).

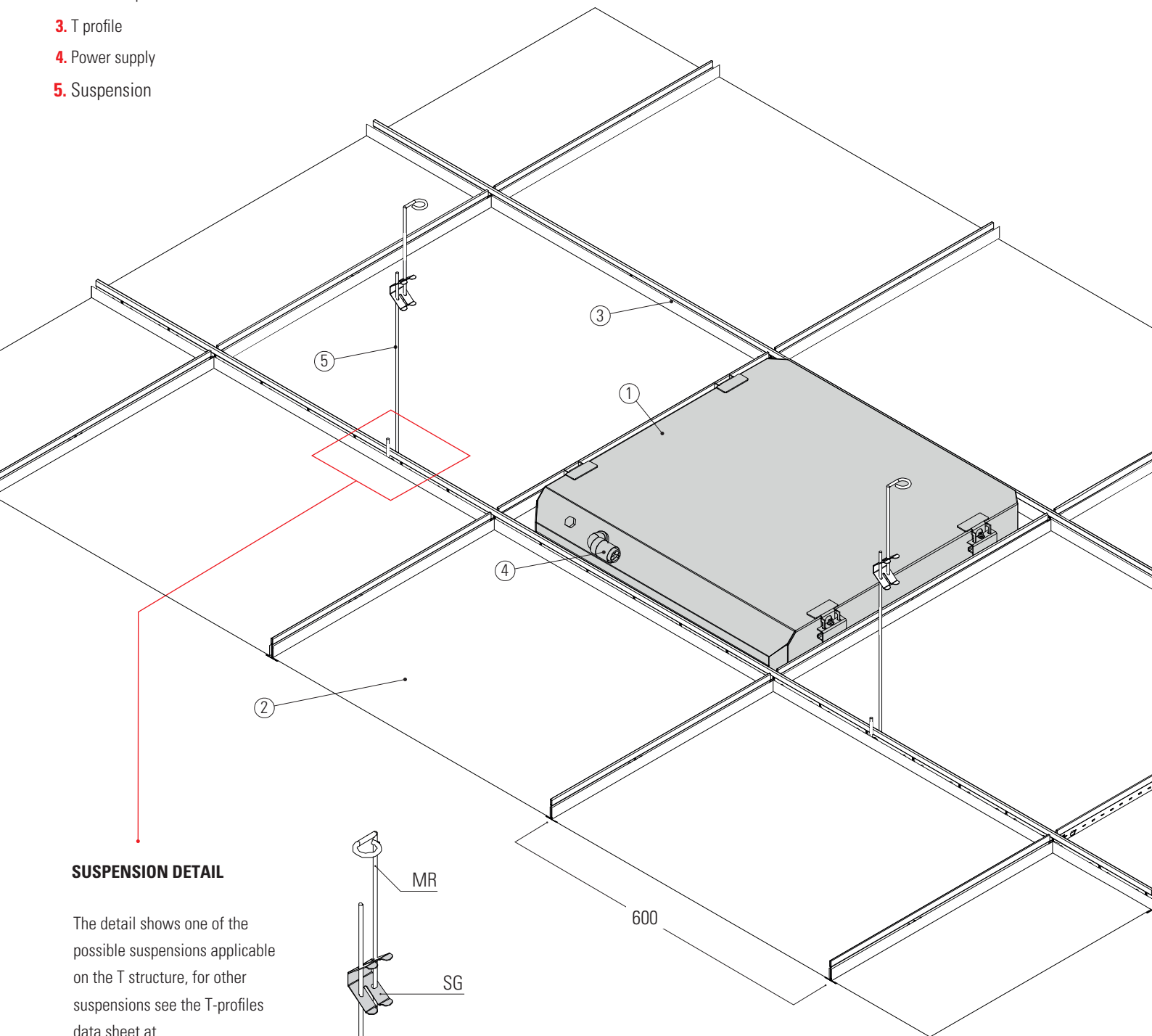


VIEW POSITIONING FROM ABOVE

SYSTEM ELEMENTS

- 1. Vert Visio
- 2. Vert Visio panel
- 3. T profile
- 4. Power supply
- 5. Suspension

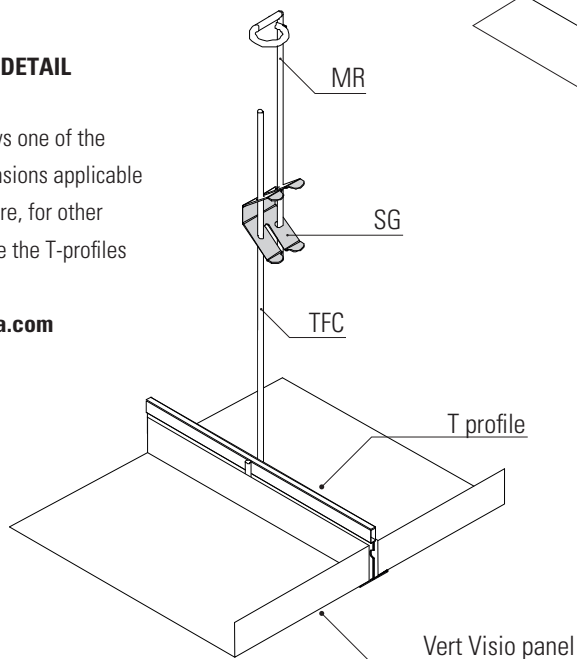
EXAMPLE OF MOUNTING ON A T-SHAPED STRUCTURE



SUSPENSION DETAIL

The detail shows one of the possible suspensions applicable on the T structure, for other suspensions see the T-profiles data sheet at

www.vertebra.com

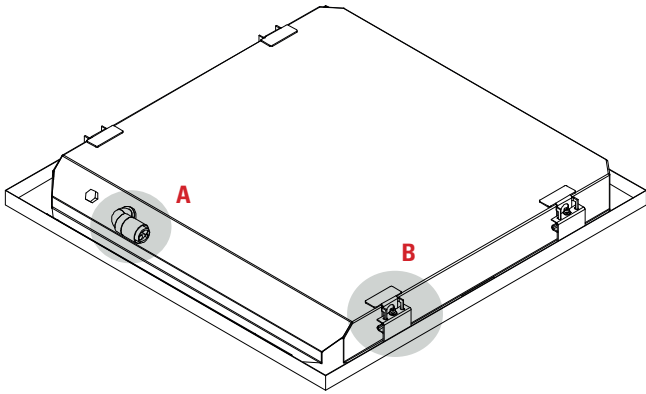


POWER SUPPLY SOCKET AND SEAL

A: POWER SUPPLY

230/240 - 50/60 Hz power supply with 0.75 mm² cross-section cable and PVC-HT sheathing flame retardant in accordance with CEI 20-35 and complying with CEI 20.20 and CEI CENELEC HD 21 standards. IP66 watertight connector 2P+E or 4P+E, maximum allowed cable cross-section 2.5 mm². Insulation class I. Suitable for installation on normally flammable surfaces.

- Power supply EEI=A2 230-240, 50 - 60Hz. power factor > 0.95.

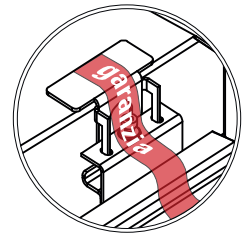


B: CLOSING BRACKET AND SEAL

Closing bracket consisting of two parts :

- Upper bracket
- Lower sealing bracket on which the guarantee seal is affixed.

It is recommended not to remove the seal, as this would result in the loss of the product warranty.



OTHER EQUIPMENT

Possible equipment of the Microprocessor Self-Test Module equipped with:

- Autonomy test
- Functionality test
- Routine tests

**Luminous flux tolerance $\pm 10\%$.

*Dual Power possibility

*RGB - DMX/ DALI system with localised touch panel

**Power subject to minor ($\pm 5\%$) variations without notice

*/** see table page 2

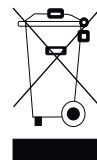
WARNINGS

General Warnings

- The luminaire is constructed in a workmanlike manner, and its electrical life will be more than sufficient if used correctly.
- Please read the following warnings carefully as they are important information for safe installation, use and maintenance.
- After removing the appliance from its packaging, ensure that it is undamaged, otherwise contact the seller.
- Packaging elements (plastic bags etc.) must not be left within reach of children as they are potential sources of danger.
- Before connecting the appliance, make sure that the rating plate data correspond to those of the electrical distribution network to which the appliance will be connected (the label with the rating plate data is located on the outside of the appliance).
- Before carrying out any cleaning or maintenance operations, disconnect the appliance from the mains power supply by switching off the circuit breaker; in the event of a fault, contact only professionally qualified personnel.
- Failure to do so may compromise the safety of the appliance.
- The manufacturer cannot be held liable for any damage resulting from improper, incorrect and unreasonable use.

Important warnings

- The product must not be subject to modification, any modification voids the warranty and may render the product dangerous.
- Antonio Guerrasio s.r.l. shall not be held liable for any damage caused by its products not being assembled in accordance with the instructions.
- Any damaged components must be replaced with similar ones.
- The products must be installed in a workmanlike manner.
- In order to avoid dangerous overheating, it is recommended not to install the appliance in cramped spaces without air exchange.
- The appliance is also intended for installation on normally flammable surfaces.



Recycling

In implementation of Directives 2002/95/EC, 2002/96/EC and 2003/108/EC ("on the reduction of the use of hazardous substances in electrical and electronic equipment and the disposal of waste") the crossed-out wheeled bin serves as a reminder to collect the product separately from other waste at the end of its life or to return it to the retailer when purchasing a new appliance of an equivalent type. This helps to preserve the environment from contamination and promotes the recycling of equipment components. Unauthorised disposal is subject to sanctions in accordance with the law.



IP43

IP66



230-240V
50-60Hz



Switch Control



UGR<19



UV
PROTEZIONE



INCASSO



CRI 90



PROTOCOLLO
LEED



DALI



RGB

Features subject to change and improvement without notice