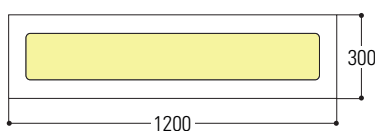
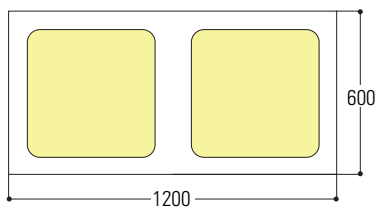
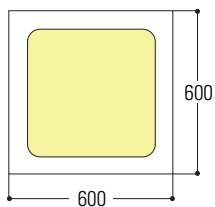
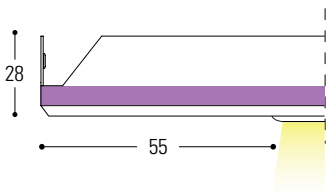




# VERT SIGIL

LED TECHNOLOGY | Bevelled edge

Beveled edge



## DESCRIPTION

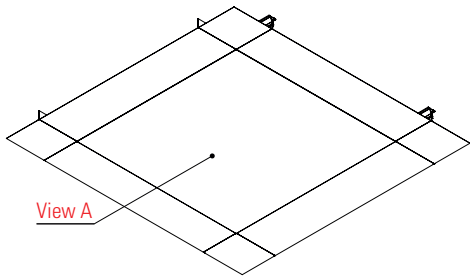
Recessed luminaire for lighting with high luminous efficiency LED technology. An elegant, modern style guaranteed by integration into the Vert Sigillo type ceiling. The luminaire is composed of an aluminium and a cladding panel that has the same material (aluminium or steel) and the same finish (pre-painted or post-painted) as the false ceiling, and replaces all applications that hitherto involved the use of fluorescent and halogen tubes.

## TECHNICAL CHARACTERISTICS

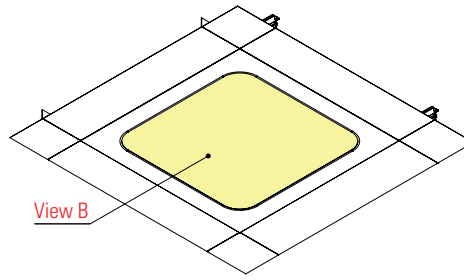
<b>Panel material:</b>	Aluminium (Alloy 3000H46) Steel prepainted Steel inox
<b>Ceiling light material</b>	Aluminium (Alloy 3000H46)
<b>Colour:</b>	RAL 9003 o RAL 9010 (with optional antimicrobial paint)
<b>Panel thickness:</b>	0,4 - 0,5 - 0,6 mm
<b>Body thickness:</b>	0,8 mm
<b>Internal driver:</b>	Yes
<b>Features:</b>	DALI module Night light Presence sensor with self-adjustment Emergency module
<b>Moduli standard:</b>	600x600 mm with bevelled edge 600x1200 mm with bevelled edge 300x600 mm with bevelled edge
<b>Service life:</b>	50.000 hours
<b>LED Warranty:</b>	3 Years
<b>Product weight:</b>	4 kg

# ADVANTAGES AND APPLICATIONS

Vert Sigillo system

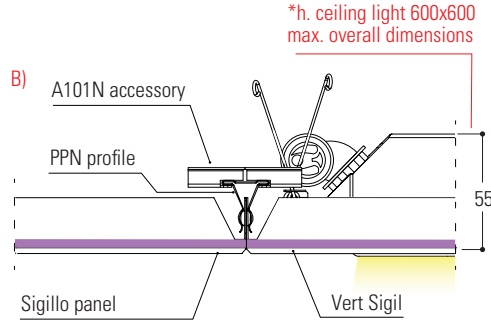
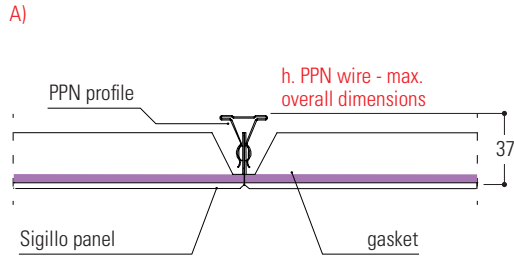


Vert Sigillo system with ceiling light



## DESCRIPTION

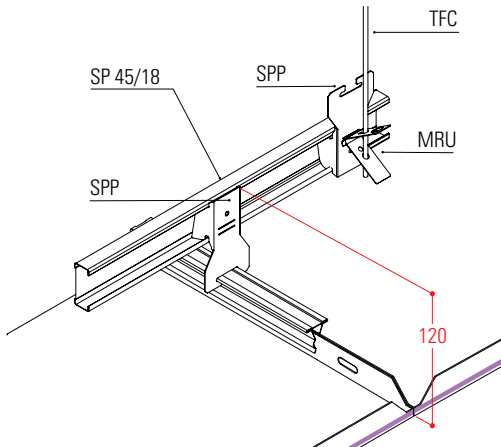
**Vert Sigil** has as its strong point a gasket on one side of the panel that prevents the passage of dust, thanks to the perfect adherence between the panels. The Sigillo system can be realised in single or double frame as shown in the figures below and together with the ceiling light can be accessed at any point using a suction cup supplied.



*Overall dimensions ceiling light	module 600x600
	55 mm
	module 600x1200
	55 mm
	module 300x1200
	60 mm

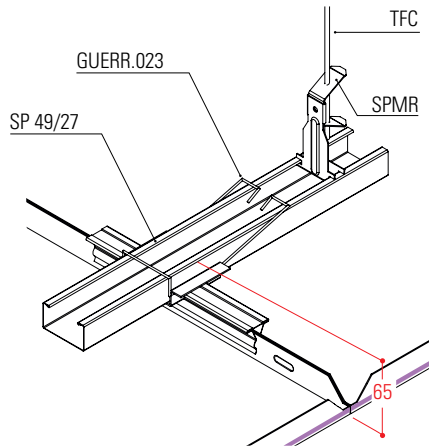
## DOUBLE FRAME

max. overall dimensions 120 mm



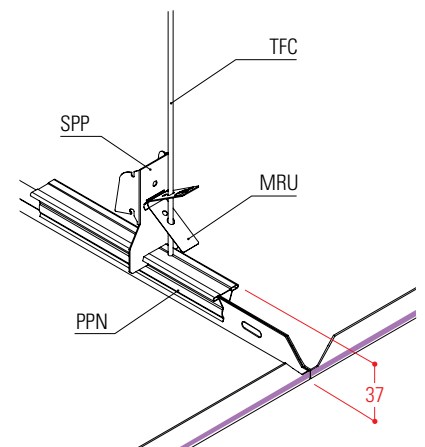
Double frame with SP 45/18

max. overall dimensions 65 mm



Double frame with SP 49/27

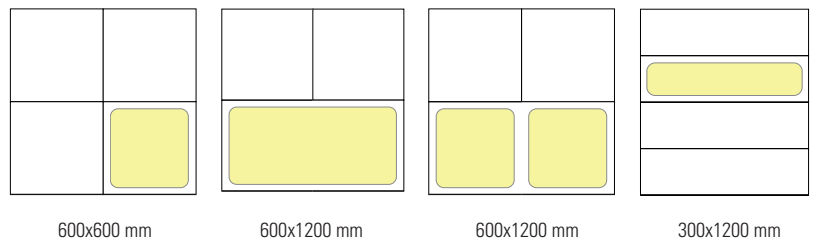
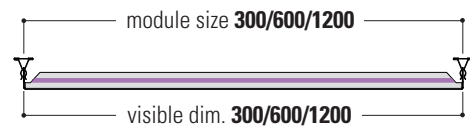
max. overall dimensions 37 mm



Single frame with PPN

## DIMENSIONS AND MODULES

Different solutions can be implemented; with the possibility of different modules, you are able to create the right solution and meet every requirement.

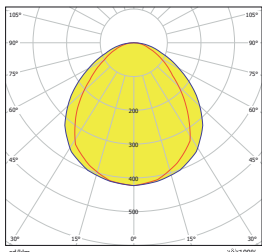


# PERFORMANCE AND CONSUMPTION

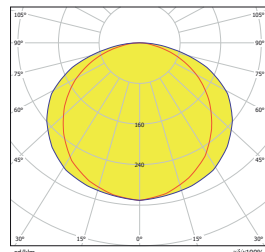
The **Vert Sigil** is designed to offer lighting homogeneous and flicker-free lighting suitable for installation in any location where excellent visual performance is required. This LED panel offers excellent lighting performance for up to approximately 50.000 hours, with an estimated daily usage of 8 hours. Thanks to the integrated LED technology, this panel replaces older installations with halogen tubes with significantly lower consumption. The LED system, therefore, lowers consumption while maintaining the same luminous intensity.

Type	Dimensions	Power (W)	Luminous flux Lamp** (IM) OPALE	Luminous flux Lamp** (IM) UGR
Vert Sigil Led 100	600x600	32	3500	3531
Vert Sigil Led 144*		45	5300	5549
Vert Sigil Led 200		57	7000	6367
Vert Sigil Led 265*		70	8800	8690
Vert Sigil Led 192	300x1200	70	6300	7500
Vert Sigil Led 576	600x1200	-	-	-
Vert Sigil Led 100+100	600x1200	80	-	6060

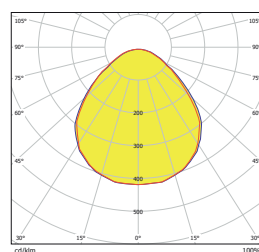
# PHOTOMETRIC CURVES



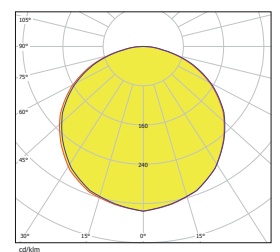
Vert Sigil Led 192 70W UGR



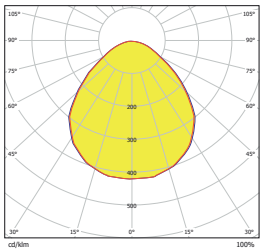
Vert Sigil Led 192 75W OP



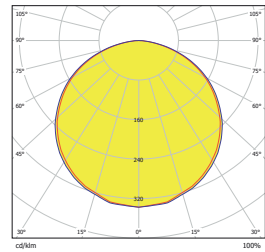
Vert Sigil Led 100 40 W UGR



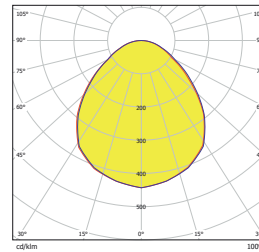
Vert Sigil Led 100 40 W OP



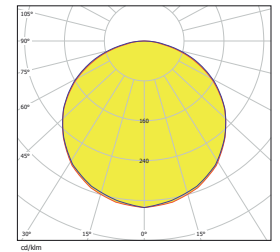
Vert Sigil Led 144 55W UGR



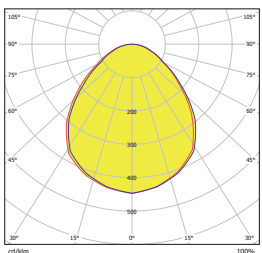
Vert Sigil Led 144 56W OP



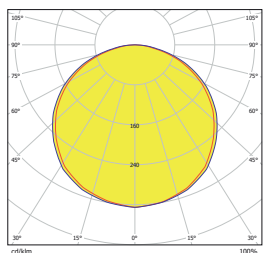
Vert Sigil Led 200 80 W UGR



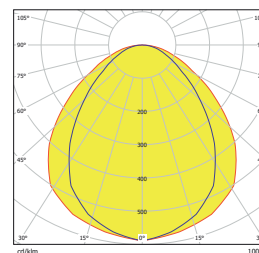
Vert Sigil Led 200 80 W OP



Vert Sigil Led 265 89 W UGR



Vert Sigil Led 265 90 W OP



Vert Sigil Led 100+100 80 W UGR

## EMERGENCY MODULE

An emergency module can be integrated into the ceiling light, which guarantees a lighting autonomy of up to 3 hours even in the absence of electricity. This module is equipped with the standards shown in the table.

Autonomy	Capacity	Regulations	
3h	4,2 Ah	CEI EN 6154 7	CEI 61000-6- 3 CEI 2004/108
IEC 60598-2-22		CEI EN 61000-4- 8	CEI EN 55015 EN 6052 9

## OPTICAL GROUP

- Color rendering CRI>90 (CRI 80 available upon request)
- Photobiological risk 0 (exempt) protected from UV rays EN 62471
- Color temperature 3000K, 4000K and 6000K  
(LED diode selected 3 steps Mac Adam)
- Useful life (L93/B10): 30000 h. (tq+25°C)
- Useful life (L90/B10): 50000 h. (tq+25°C)
- Useful life (L85/B10): 80000 h. (tq+25°C)

Standard available colour temperature



**Available optics:**

**version UGR<19 (UGR)**

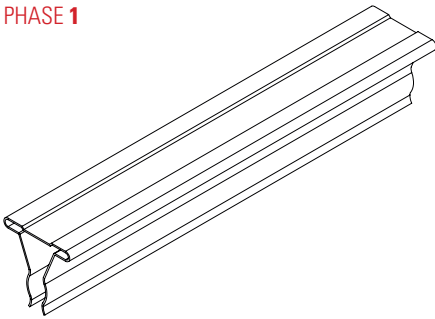
Microprismatic polycarbonate optics for environments with video terminals

**Standard Version (OP)** **N.B** the OP version is supplied on specific request

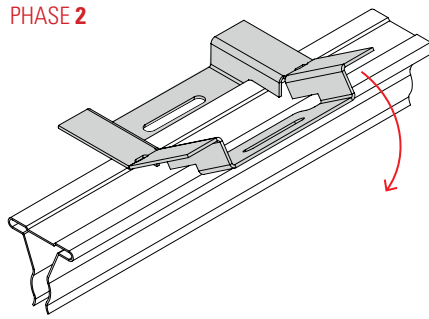
Plexiglass LED optics with high light transmission for uniform brightness

## ASSEMBLY ACCESSORY A101N

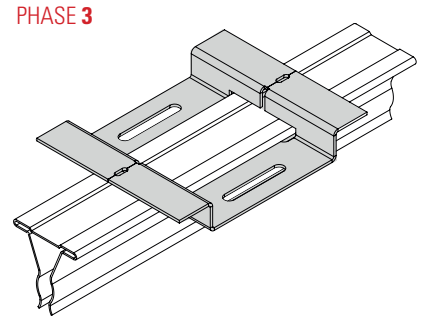
PHASE 1



PHASE 2

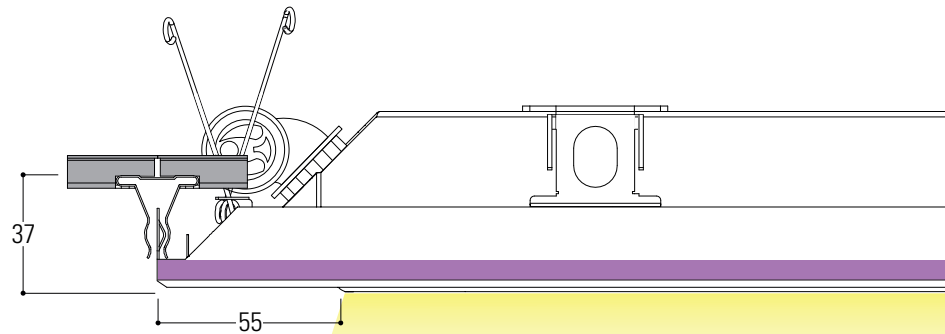


PHASE 3



### DESCRIPTION A101N

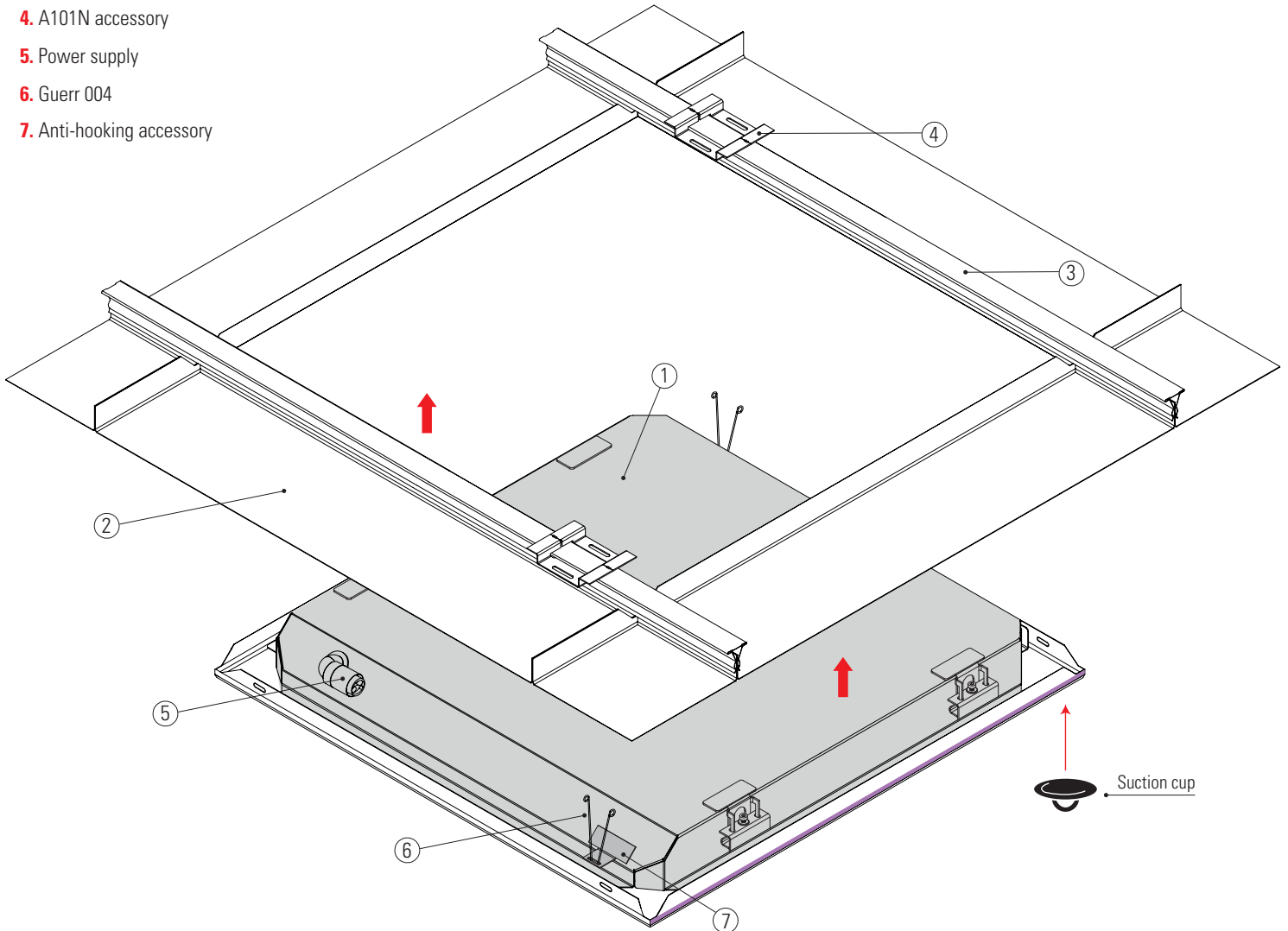
With simple features, this accessory is used for the attachment of the VertSigil ceiling light; it is applied quickly and intuitively. As can be seen from the steps described above, the accessory rests on the PPN profile and provides an ideal and secure ceiling suspension solution. It also offers the possibility of easy and smooth inspection.



## SYSTEM ELEMENTS

1. Vert Sigil
2. Sigillo panel
3. PPN profile
4. A101N accessory
5. Power supply
6. Guerr 004
7. Anti-hooking accessory

**PERFETTA INTEGRAZIONE  
NEL SISTEMA VERT SIGILLO**  
configurazione con plafoniera IP66

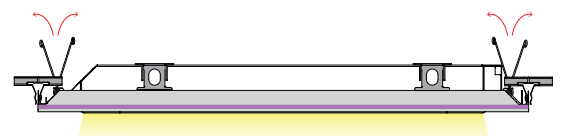
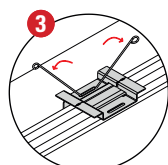
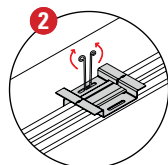
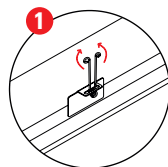


## INSTALLATION DESCRIPTION

Vert Sigil is installed in the same way as a Sigillo panel; the steps are few and intuitive:

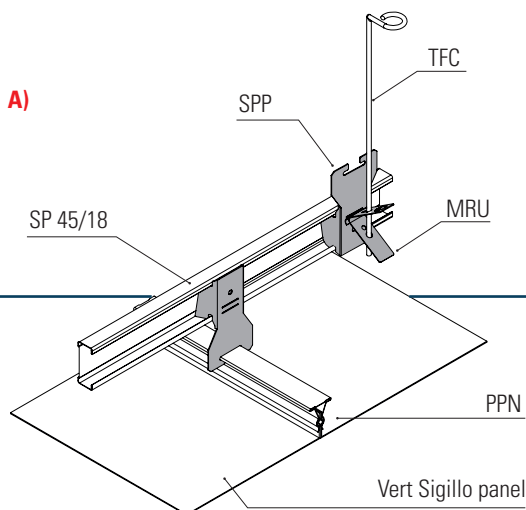
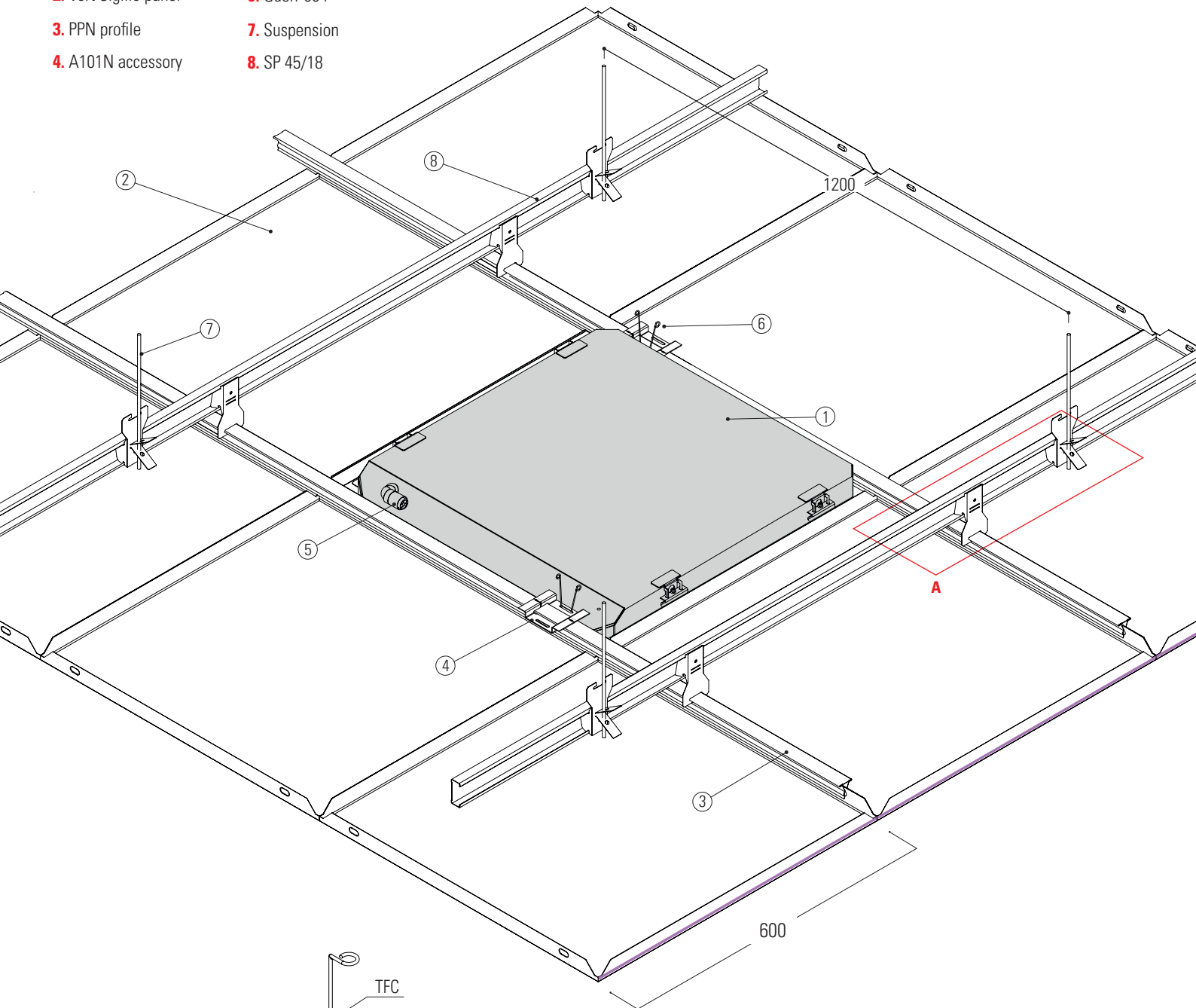
1. Tighten the springs(6) located on both sides of the panel(1)
2. Insert the springs in the slot of the A101N(4) accessory located on the PPN(3) profile
3. Then make the connection to the mains electricity supply using the power supply socket(5).

- Push the ceiling light upwards to complete the assembly.
- Use the suction cup in the corner to inspect the ceiling light.



## SYSTEM ELEMENTS

- 1. Vert Sigil
- 2. Vert Sigillo panel
- 3. PPN profile
- 4. A101N accessory
- 5. Power supply
- 6. Guerr 004
- 7. Suspension
- 8. SP 45/18

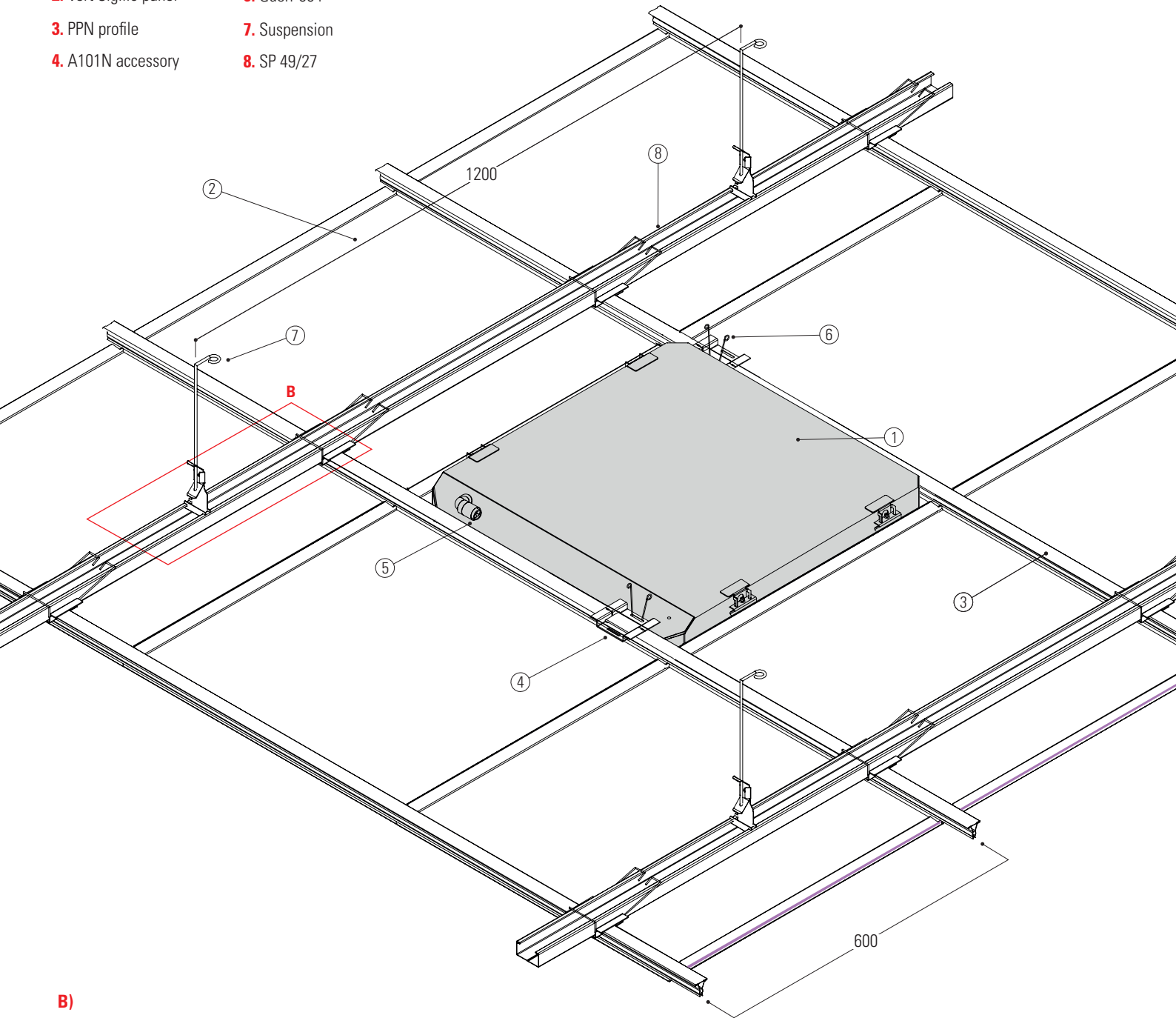


## DESCRIPTION AND DETAILS

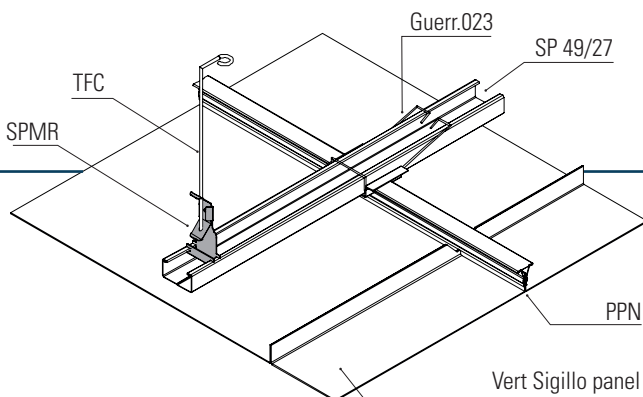
The SIGILLO system shown alongside is in non-coplanar double warping, punctually inspected, and is composed of a typical primary profile SP45/18 which is suspended from the floor and a PPN type secondary profile. The systems of suspension and connection as well as being simple to assemble, they are also adjustable at every point, the panel instead is mounted from below and after having Once the gasket is installed, it must be snapped into the PPN profile.

## SYSTEM ELEMENTS

- 1. Vert Sigil
- 2. Vert Sigillo panel
- 3. PPN profile
- 4. A101N accessory
- 5. Power supply
- 6. Guerr 004
- 7. Suspension
- 8. SP 49/27



**B)**

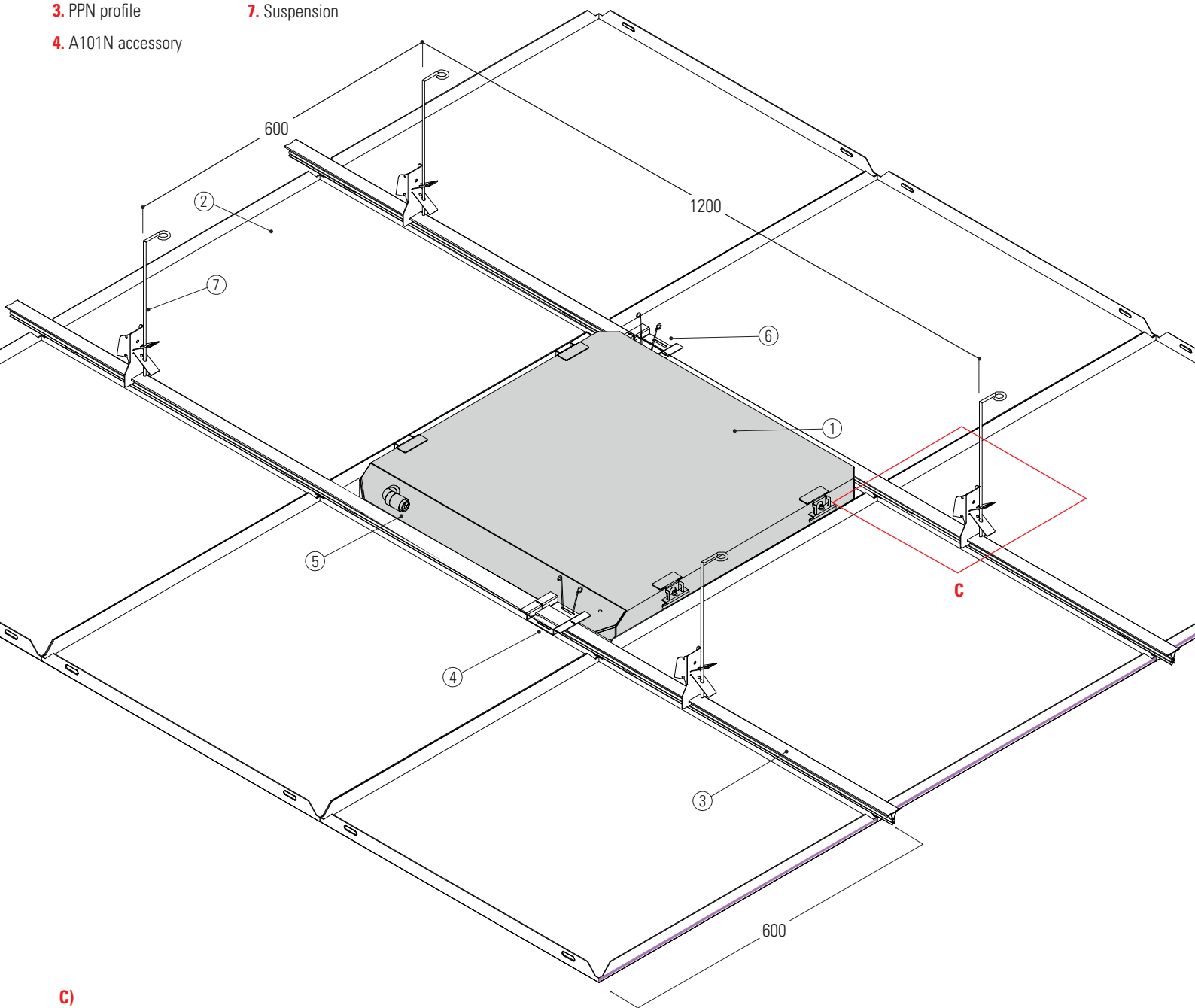


## DESCRIPTION AND DETAILS

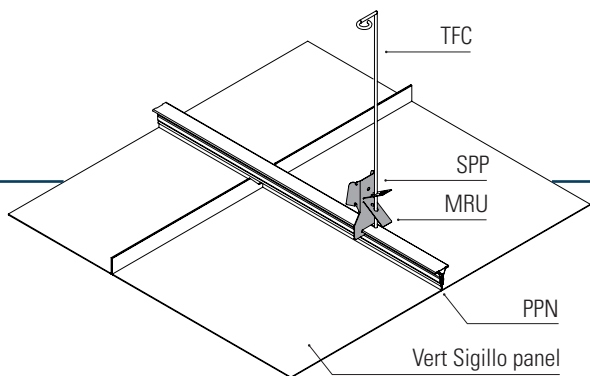
The SIGILLO system shown opposite is a non-coplanar, double frame system and is particularly suitable for solutions with limited space. The ceiling can be inspected at any time, it consists of a primary profile type SPN49/27 that is suspended from the ceiling and a secondary profile type PPN. In addition to being easy to install, the suspension and connection systems are also adjustable at any point. The panel, on the other hand, is installed from below, and after installing the gasket, it must be snapped into the PPN profile.

## SYSTEM ELEMENTS

- 1. Vert Sigil
- 2. Vert Sigillo panel
- 3. PPN profile
- 4. A101N accessory
- 5. Power supply
- 6. Guerr 004
- 7. Suspension



C)



## DESCRIPTION AND DETAILS

The SIGILLO system shown opposite is single-row and is particularly suitable for solutions with limited space. The ceiling can be inspected at any point. It consists of a PPN profile that is suspended from the ceiling with suspensions. In addition to being easy to install, the suspension and connection systems are also adjustable at every point. The panel, on the other hand, is mounted from below and after installing the gasket, it must be snapped into the PPN profile.

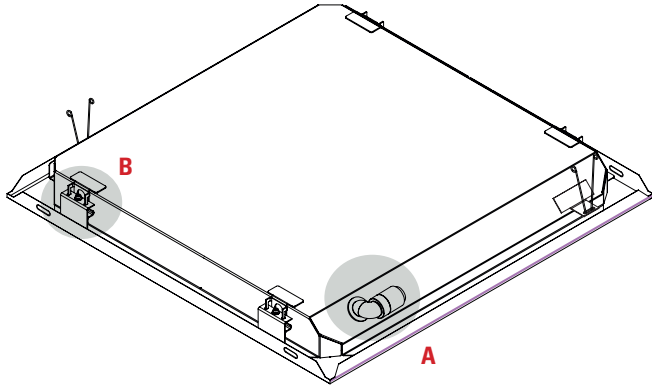


# POWER SUPPLY SOCKET AND SEAL

## A: POWER SUPPLY

230/240 - 50/60 Hz power supply with 0.75 mm<sup>2</sup> cross-section cable and PVC-HT sheathing flame retardant in accordance with CEI 20-35 and complying with CEI 20.20 and CEI CENELEC HD 21 standards. IP66 watertight connector 2P+E or 4P+E, maximum allowed cable cross-section 2.5 mm<sup>2</sup>. Insulation class I. Suitable for installation on normally flammable surfaces.

- Power supply EEI=A2 230-240, 50 - 60Hz. power factor > 0.95.

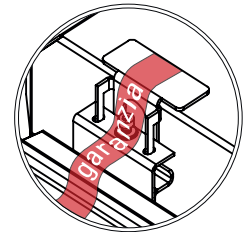


## B: CLOSING BRACKET AND SEAL

Closing bracket consisting of two parts :

- Upper bracket
- Lower sealing bracket on which the guarantee seal is affixed.

It is recommended not to remove the seal, as this would result in the loss of the product warranty.



# OTHER EQUIPMENT

Possible equipment of the Microprocessor Self-Test Module equipped with:

- Autonomy test
- Functionality test
- Routine tests

\*\*Luminous flux tolerance  $\pm 10\%$ .

\*Dual Power possibility

\*RGB - DMX/ DALI system with localised touch panel

\*\*Power subject to minor ( $\pm 5\%$ ) variations without notice

\*/\*\* see table page 2

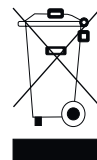
# WARNINGS

## General Warnings

- The luminaire is constructed in a workmanlike manner, and its electrical life will be more than sufficient if used correctly.
- Please read the following warnings carefully as they are important information for safe installation, use and maintenance.
- After removing the appliance from its packaging, ensure that it is undamaged, otherwise contact the seller.
- Packaging elements (plastic bags etc.) must not be left within reach of children as they are potential sources of danger.
- Before connecting the appliance, make sure that the rating plate data correspond to those of the electrical distribution network to which the appliance will be connected (the label with the rating plate data is located on the outside of the appliance).
- Before carrying out any cleaning or maintenance operations, disconnect the appliance from the mains power supply by switching off the circuit breaker; in the event of a fault, contact only professionally qualified personnel.
- Failure to do so may compromise the safety of the appliance.
- The manufacturer cannot be held liable for any damage resulting from improper, incorrect and unreasonable use.

## Important warnings

- The product must not be subject to modification, any modification voids the warranty and may render the product dangerous.
- Antonio Guerrasio s.r.l. shall not be held liable for any damage caused by its products not being assembled in accordance with the instructions.
- Any damaged components must be replaced with similar ones.
- The products must be installed in a workmanlike manner.
- In order to avoid dangerous overheating, it is recommended not to install the appliance in cramped spaces without air exchange.
- The appliance is also intended for installation on normally flammable surfaces.



## Recycling

In implementation of Directives 2002/95/EC, 2002/96/EC and 2003/108/EC ("on the reduction of the use of hazardous substances in electrical and electronic equipment and the disposal of waste") the crossed-out wheeled bin serves as a reminder to collect the product separately from other waste at the end of its life or to return it to the retailer when purchasing a new appliance of an equivalent type. This helps to preserve the environment from contamination and promotes the recycling of equipment components. Unauthorised disposal is subject to sanctions in accordance with the law.



IP66

