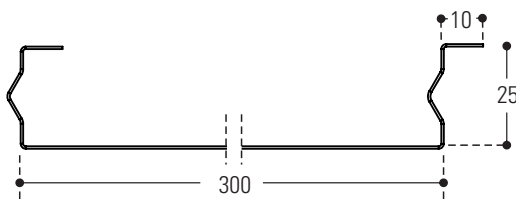


DOGA P300 - B15A30 FIRE



DESCRIPTION

The **P300** strip with its geometry guarantees a simple and harmonious aesthetic effect. This system gives a high aesthetic quality and visual identity to the environments in which it is to be installed. The main feature of the P300 strip lies in the edges, which allow them to be joined together, providing a pleasing aesthetically flush linearity. The technological properties of the materials guarantee high levels of resistance and durability.

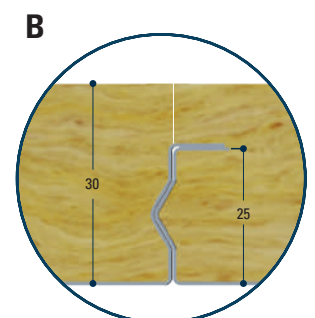
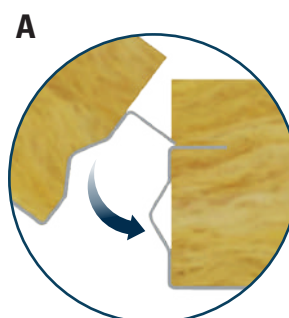
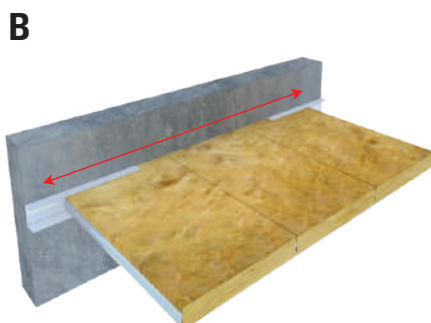
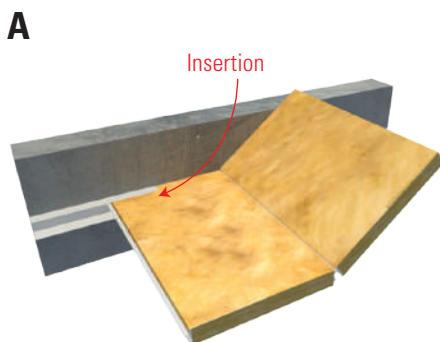
TECHNICAL FEATURES

European Standard:	2014/90/EU - MED annex A.1 item: A.173.11 (b)
Material:	Galvanised steel (DX51DZ)
Width:	300 ± 1 mm
Maximum length:	3015 mm
Thickness:	min 0.6 - max 0.7 mm
Average system weight:	8,65 kg/mq

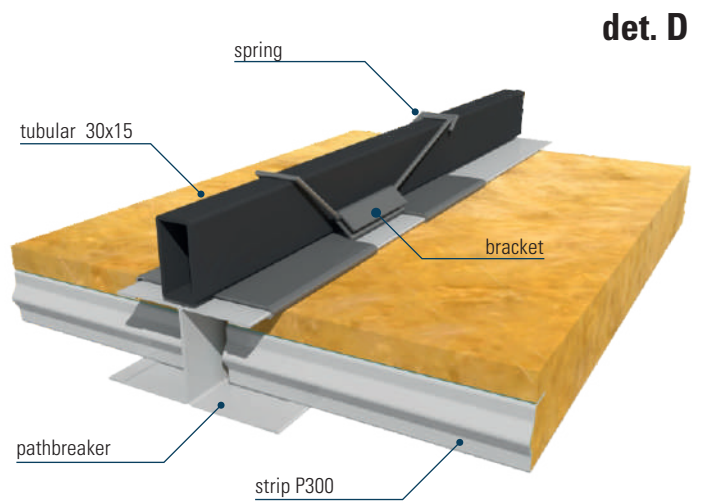
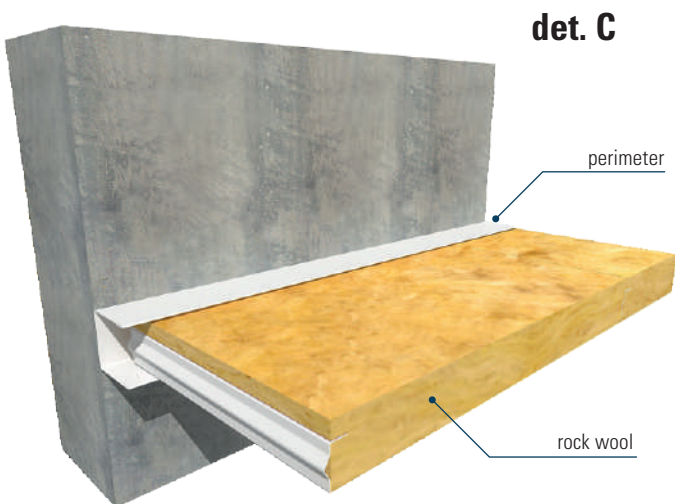
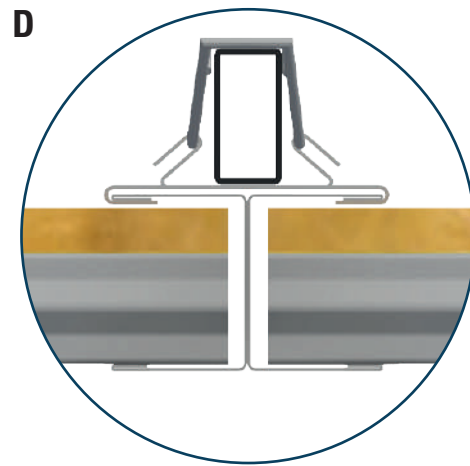
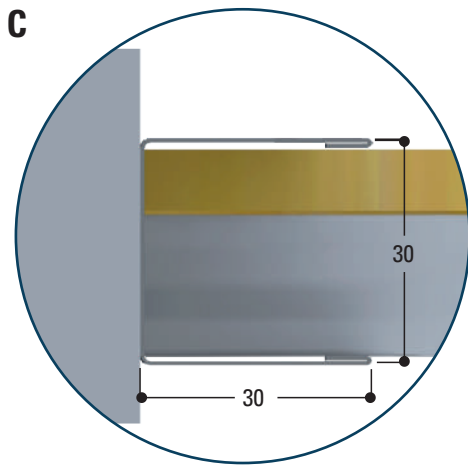
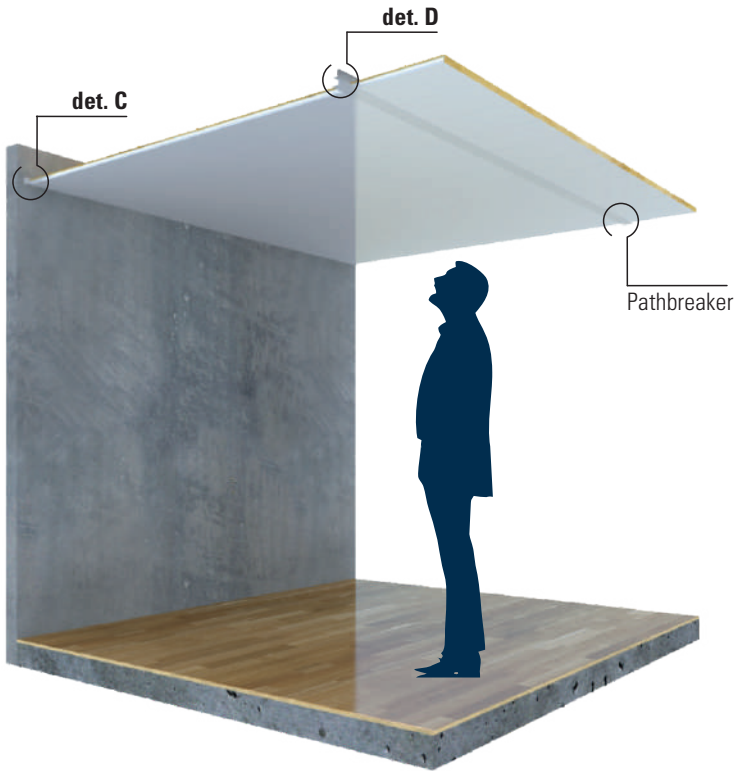
INSULATION MATERIAL

Type:	Mineral wool with anti-dust veil on the extrados
Density:	66 kg/m ³
Thickness:	30 mm

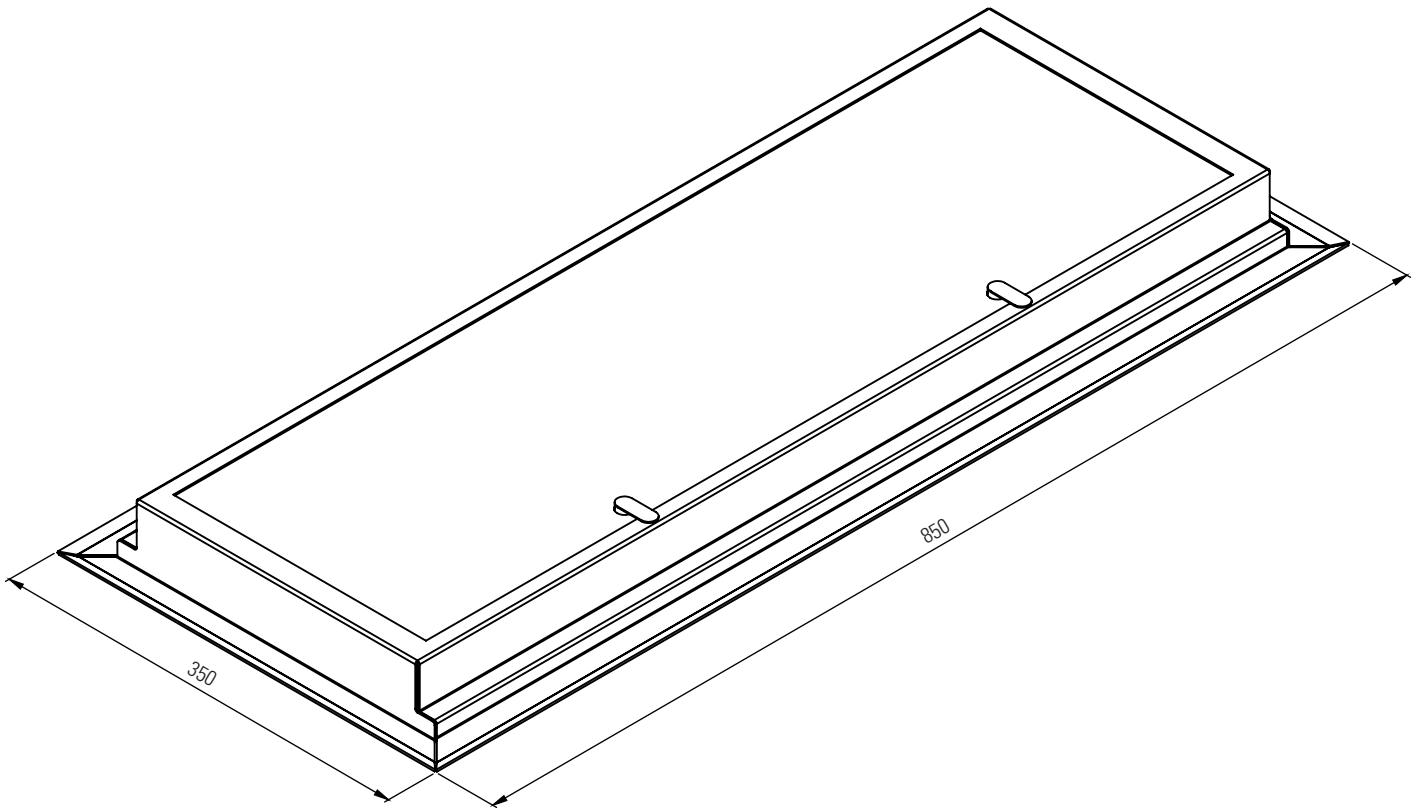
Application on the perimeter profile



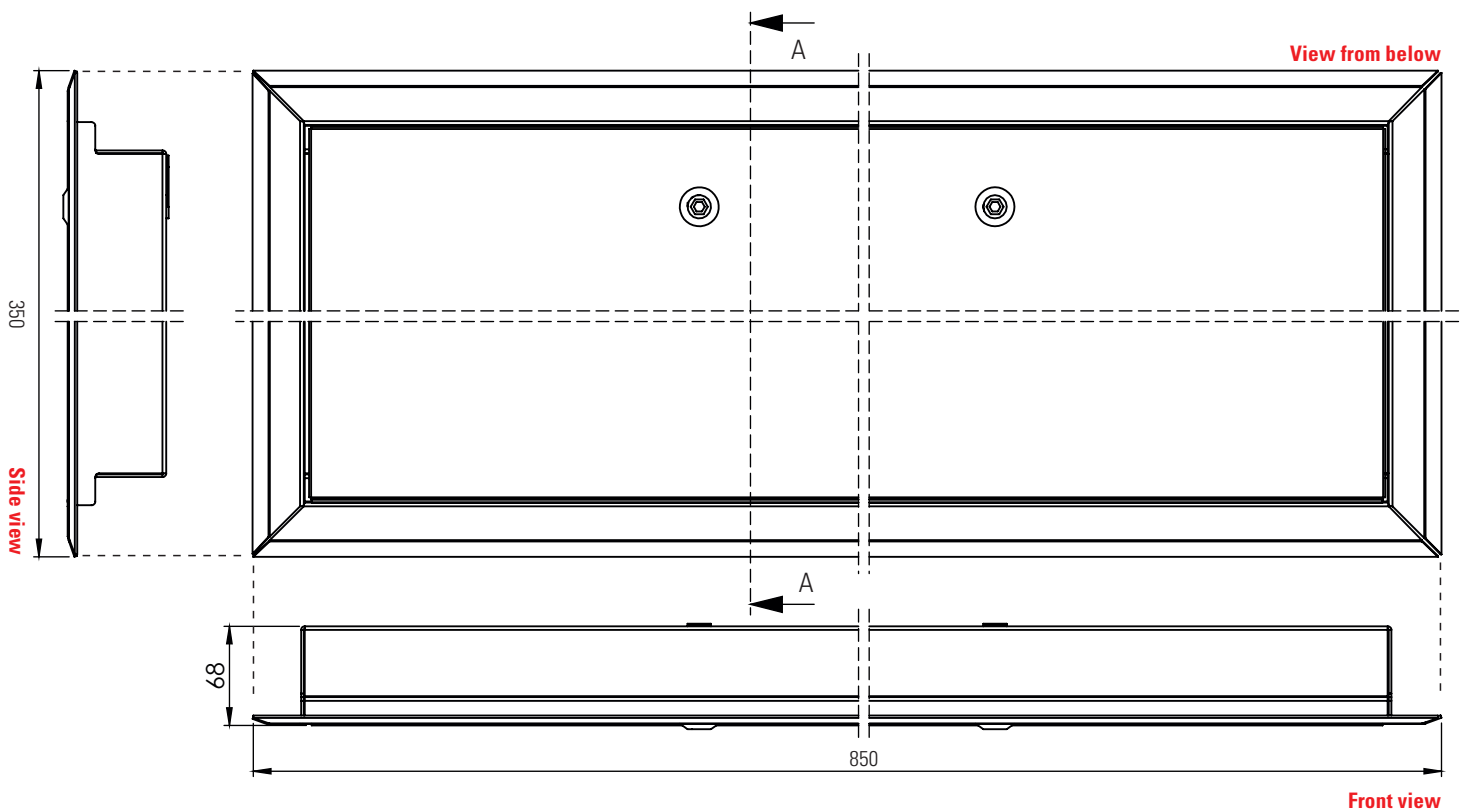
APPLICATIONS



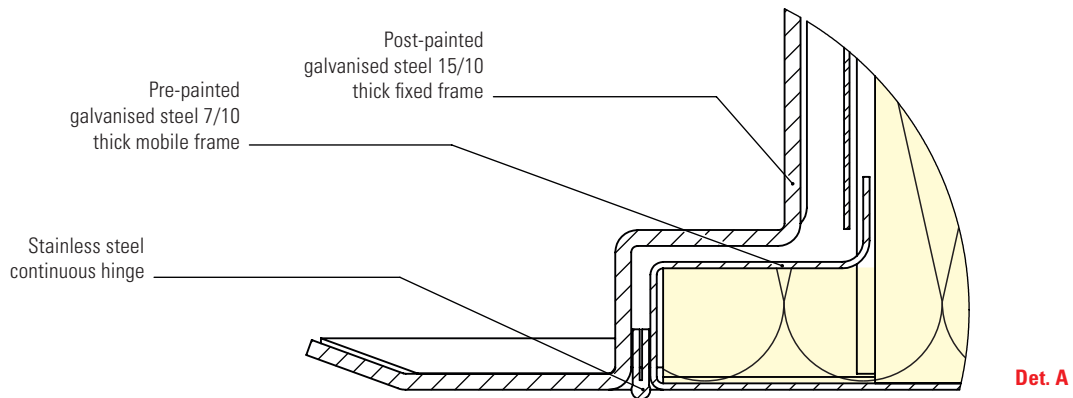
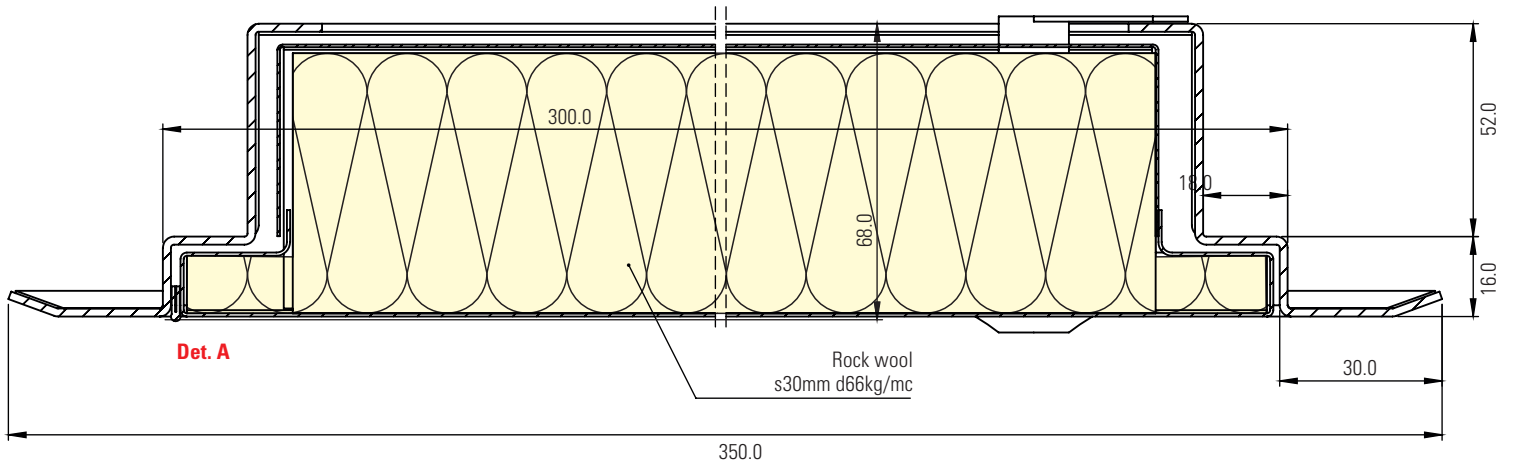
INSPECTION HATCH - OVERALL VIEW



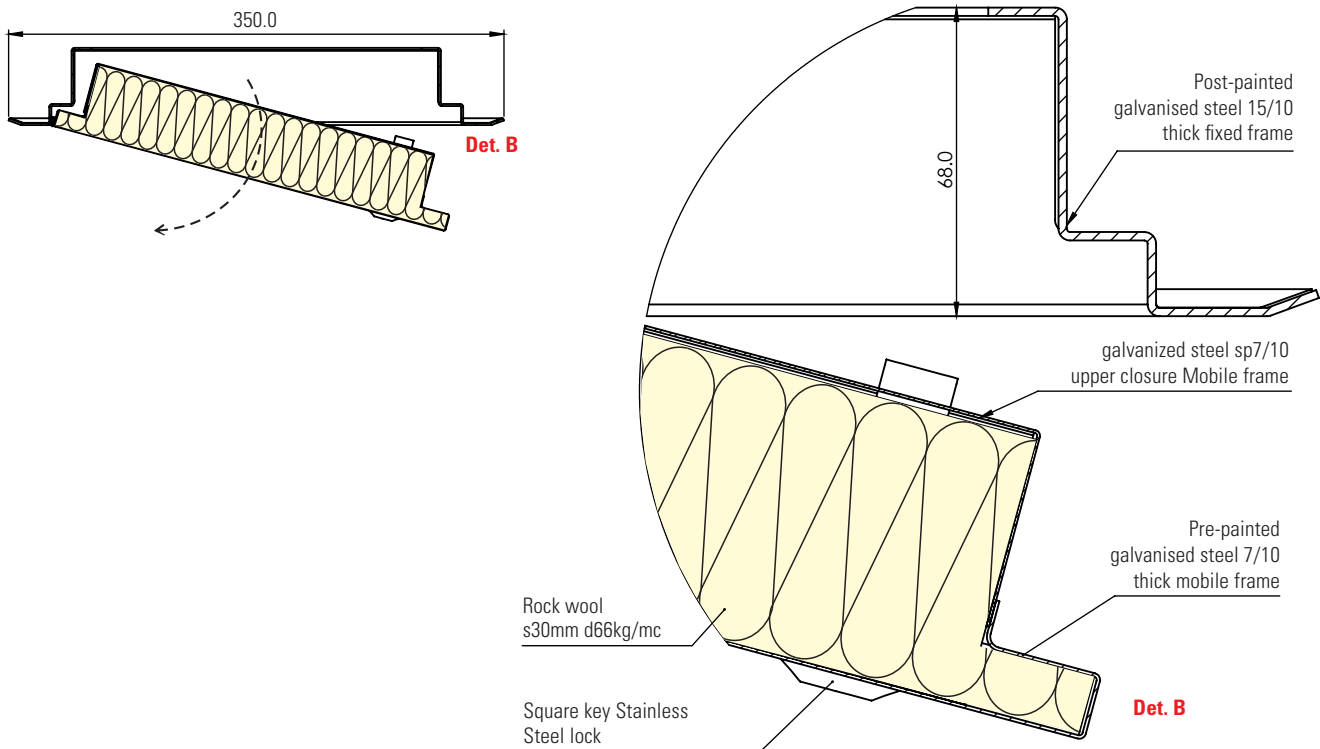
PLAN AND ELEVATIONS



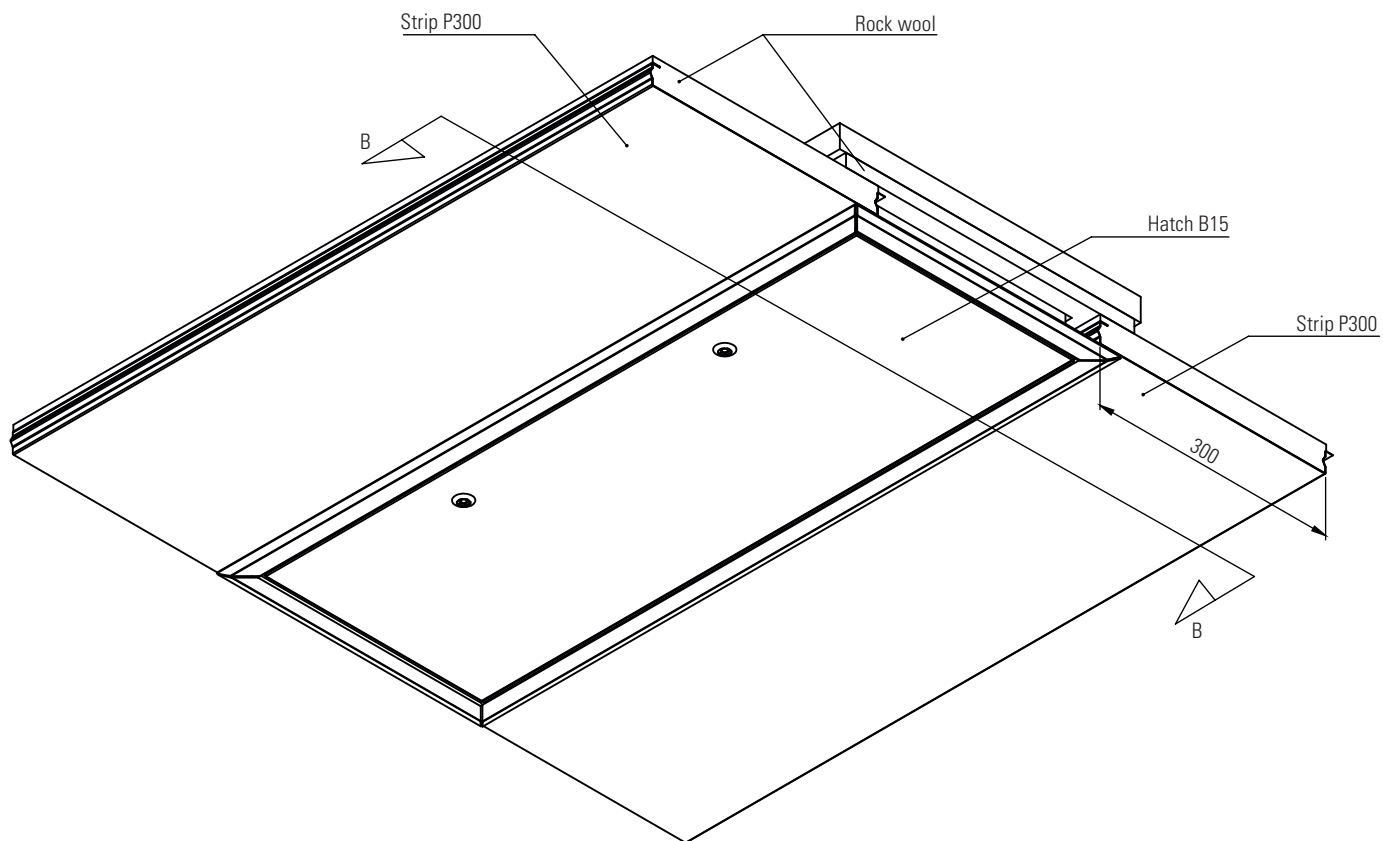
SECTION A-A



HATCH OPENING



BOTTOM VIEW



HATCH OPENING

